

# JET

**DDS-237**

**DUAL DRUM SANDER**

**DDS-237.....10000649T.....3~400V, 50Hz**

## **PARTS LIST**

**JPW (TOOL) AG**  
Tämperlistrasse 5  
CH-8117 Fällanden  
Switzerland  
Phone +41 44 806 47 48  
Fax +41 44 806 47 58  
[www.jettools.com](http://www.jettools.com)



P-10000649T 2014-02

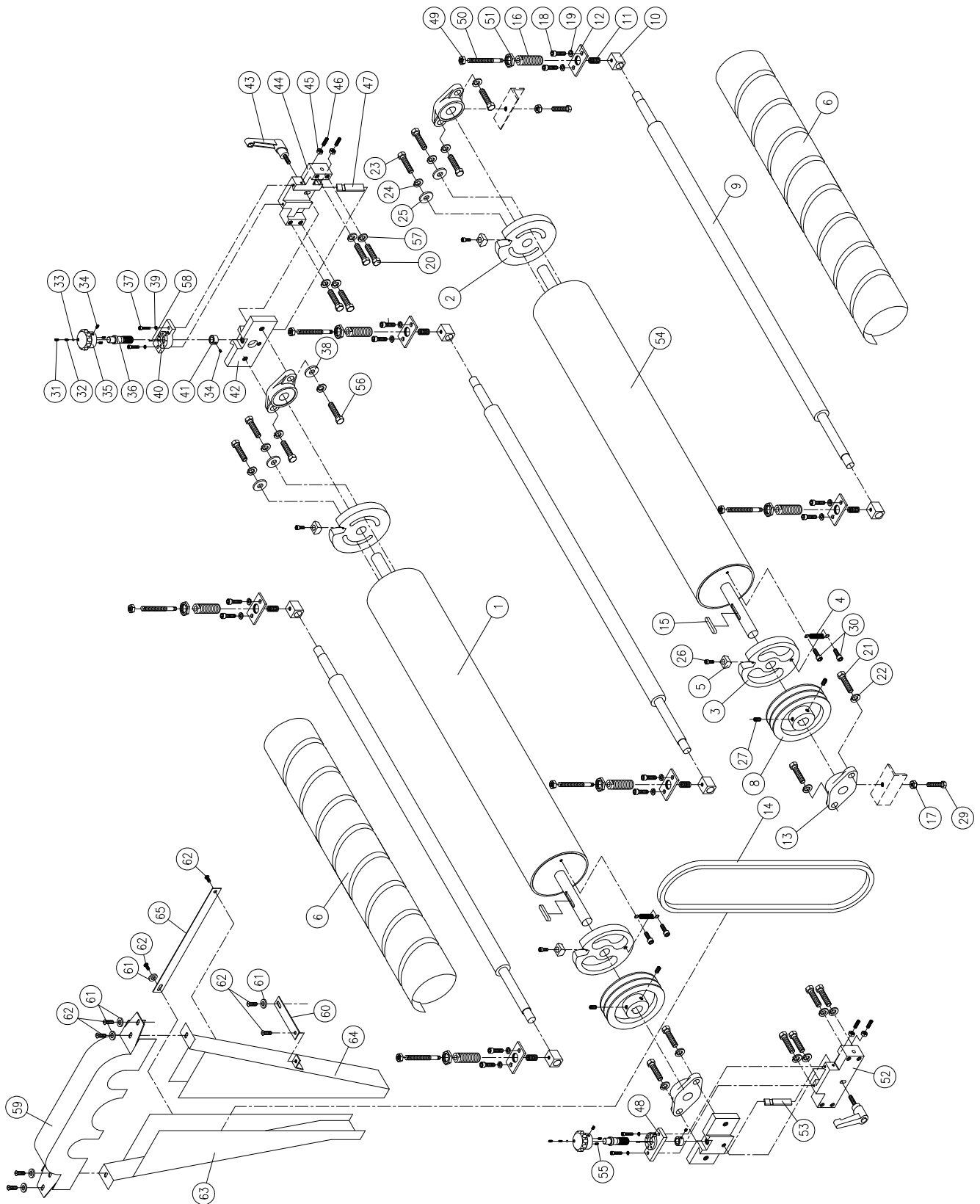
## DDS-237 Drum Assembly

Index No.	Part No.	Description	Size	Qty.
1	DDS237-101B	Rear Drum		1
2	DDS225-102A	Abrasive Fastener-Right		2
3	DDS225-103A	Abrasive Fastener-Left		2
4	DDS225-104	Spring		2
5	DDS225-105	Locking Wedge		4
6	DDS237-106	Abrasive (80 Grit)		1
	DDS237-106A	Abrasive (100 Grit)		1
7	DDS225-107	Support Bracket		2
8	DDS225-108	Pulley		2
9	DDS237-109	Tension Roller		3
10	DDS225-110	Bushing		6
11	DDS225-111	Spring		6
12	DDS225-112	Bracket		6
13	DDS225-113	Bearing Assembly	UCFL205	4
14	VB-B69	Belt		2
15	DDS225-115	Key	8 x 7 x 50	2
16	DDS225-116	Adjusting Bushing		6
17	TS-0561031	Hex Nut	3/8-16	2
18	DDS225-118	Hex Cap Screw	5/16-18 x 5/8	12
19	TS-0720081	Lock Washer	5/16	12
20	TS-0060071	Hex Cap Screw	3/8-16 x 1-1/4	8
21	DDS225-121	Hex Cap Screw	1/2-13 x 1-1/2	4
22	TS-0720111	Lock Washer	1/2	8
23	DDS225-123	Hex Cap Screw	3/8-16 x 1-3/4	4
24	TS-0720091	Lock Washer	3/8	8
25	TS-1550071	Flat Washer	M10	4
26	TS-0207061	Socket Head Cap Screw	1/4-20 x 1	4
27	DDS225-127	Socket Set Screw	5/16-18 x 1/2	4
29	TS-0060051	Hex Cap Screw	3/8-16 x 1	2
30	TS-0208021	Socket Head Cap Screw	5/16-18 x 1/2	4
31	TS-0270051	Socket Set Screw	5/16-18 x 1/2	2
32	DDS225-132	Spring		2
33	DDS225-133	Steel Ball	Ø1/4	2
34	DDS225-134	Socket Set Screw	1/4-20 x 1/4	4
35	DDS225-135	Adjusting Knob		2
36	DDS225-136	Lead Screw		2
37	TS-0207041	Socket Head Cap Screw	1/4-20 x 3/4	4
38	TS-0680061	Flat Washer	1/2	4
39	TS-0720071	Lock Washer	1/4	4
40	DDS225-140	Top Cover-Right		1
41	DDS225-141	Collar		2
42	DDS225-142	Slide		2
43	DDS225-143	Locking Lever		2
44	DDS225-144	Slide Bracket-Right		1
45	TS-0561011	Hex Nut	1/4-20	4
46	TS-0267091	Socket Set Screw	1/4-20 x 1	4
47	DDS225-147	Gib-Right		1
48	DDS225-148	Top Cover-Left		1

## DDS-237 Drum Assembly

Index No.	Part No.	Description	Size	Qty.
49	TS-1541041	Hex Nylon Lock Nut	M10	6
50	DDS225-150	Adjusting Screw		6
51	DDS225-151	Hex Nut	M22 x 1.5P x 5T	6
52	DDS225-152	Slide Bracket-Left		1
53	DDS225-153	Gib-Left		1
54	DDS237-154B	Front Drum		1
55	TS-1521021	Socket Set Screw	M4 x 10L	4
56	DDS225-156	Hex Cap Screw	1/2-13x 1-1/4	4
57	TS-0720091	Lock Washer	3/8	8
58	DDS225-158	Roll Pin	∅2 x 8mm	2
59	DDS237-159	Top bracket of Pulley Guard		1
60	DDS225-160	Bracket		2
61	DDS225-161	Flat Washer	1/4"	6
62	DDS225-162	Screw	1/4"-20 x 3/8	8
63	DDS237-163	Left Bracket of Pulley Guard		1
64	DDS237-164	Right Bracket of Pulley Guard		1
65	DDS237-165	Linking Plate		1

# DDS-237 Drum Assembly



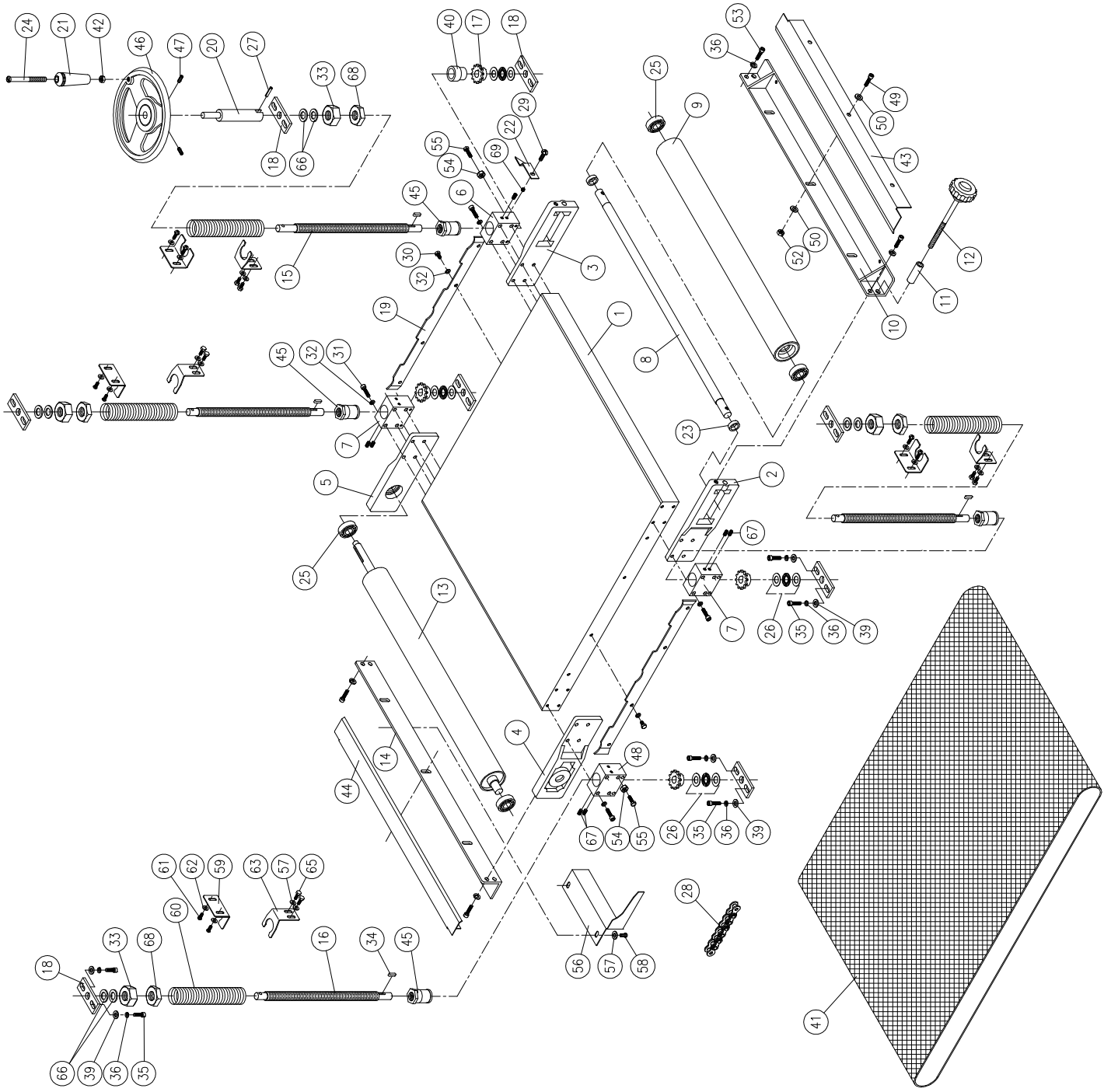
## DDS-237 Conveyor Assembly

Index No.	Part No.	Description	Size	Qty.
1	DDS237-201	Table		1
2	DDS225-202	Support Bracket, Left-Front		1
3	DDS225-203	Support Bracket, Right-Front		1
4	DDS225-204	Support Bracket, Left-Rear		1
5	DDS225-205	Support Bracket, Right-Rear		1
6	DDS225-206B	Leadscrew Holder, Right-Front		1
7	DDS225-207B	Leadscrew Holder, Left-Front and Right-Rear		2
8	DDS237-208	Rod		1
9	DDS237-209	Front Roller		1
10	DDS237-210	Front Support Plate		1
11	DDS225-211	Collar		2
12	DDS225-212	Adjusting Knob		2
13	DDS237-213	Rear Roller		1
14	DDS237-214	Rear Support Plate		1
15	DDS225-215A	Drive Leadscrew		1
16	DDS225-216A	Driven Leadscrew		3
17	DDS225-217	Sprocket		4
18	DDS225-218	Support Bracket		8
19	DDS225-219	Guide Plate		2
20	DDS225-220	Post		1
21	DDS225-221	Handle		1
22	DDS225-222	Pointer		1
23	DDS225-223	Collar		2
24	DDS225-224	Bolt		1
25	BB-6203ZZ	Ball Bearing	6203ZZ	4
26	DDS225-226	Thrust Bearing		4
27	DDS225-227	Roll Pin	Ø6 x 25mm	1
28	DDS237-228	Chain		1
29	TS-081F022	Phillips Pan Head Machine Screw	1/4-20 x 3/8	1
30	TS-0050011	Hex Cap Screw	1/4-20 x 1/2	8
31	TS-0207111	Socket Head Cap Screw	1/4-20 x 2-1/4	16
32	TS-0720071	Lock Washer	1/4	16
33	DDS225-233	Hex Nut	7/8-9	4
34	DDS225-234	Key	5 x 5 x 18mm	4
35	DDS225-235	Socket Head Cap Screw	5/16-18 x 3/4	16
36	TS-0720081	Lock Washer	5/16	22
39	TS-1550061	Flat Washer	M8	16
40	DDS225-240	Bushing		4
41	DDS237-241	Conveyor		1
42	TS-0561031	Hex Nut	3/8-16	1
43	DDS237-243	Front Cover		1
44	DDS237-244	Rear Cover		1
45	DDS225-245B	Threaded Bushing		4
46	DDS225-246	Handwheel		1
47	DDS225-247	Socket Set Screw	5/16-18 x 1/2	2
48	DDS225-248B	Leadscrew Holder, Left-Rear		1
49	TS-0208041	Socket Head Cap Screw	5/16-18 x 3/4	6
50	TS-0680031	Flat Washer	5/16	12

## DDS-237 Conveyor Assembly

Index No.	Part No.	Description	Size	Qty.
51	TS-0720081	Lock Washer	5/16	6
52	TS-0640081	Hex Nut	5/16-18	6
53	TS-0208021	Socket Head Cap Screw	5/16-18 x 1/2	6
54	DDS225-254	Hex Nut	1/4-20	8
55	TS-0050081	Hex Head Screw	1/4-20 x1-3/4	8
56	DDS225-256	Shield		1
57	TS-0680021	Flat Washer	1/4	10
58	DDS225-258	Screw	1/4-20 x1/4	2
59	DDS237-259	Upper Bracket		4
60	DDS237-260	Boot	1/4-20 x1/4	4
61	TS-081C022	Screw	#10-24x3/8	8
62	TS-0680011	Flat Washer	3/16	8
63	DDS237-257	lower Bracket		4
65	DDS225-336	Hex Head Screw	1/4-20 x3/8	8
66	DDS237-266	Special Washer		8
67	TS-0267051	Set Screw	1/4-20x1/2	7
68	DDS225-268	Special Nut		4
69	TS-0267021	Set Screw	1/4-20x1/4	1

# DDS-237 Conveyor Assembly



## DDS-237 Motor & Cabinet Assembly

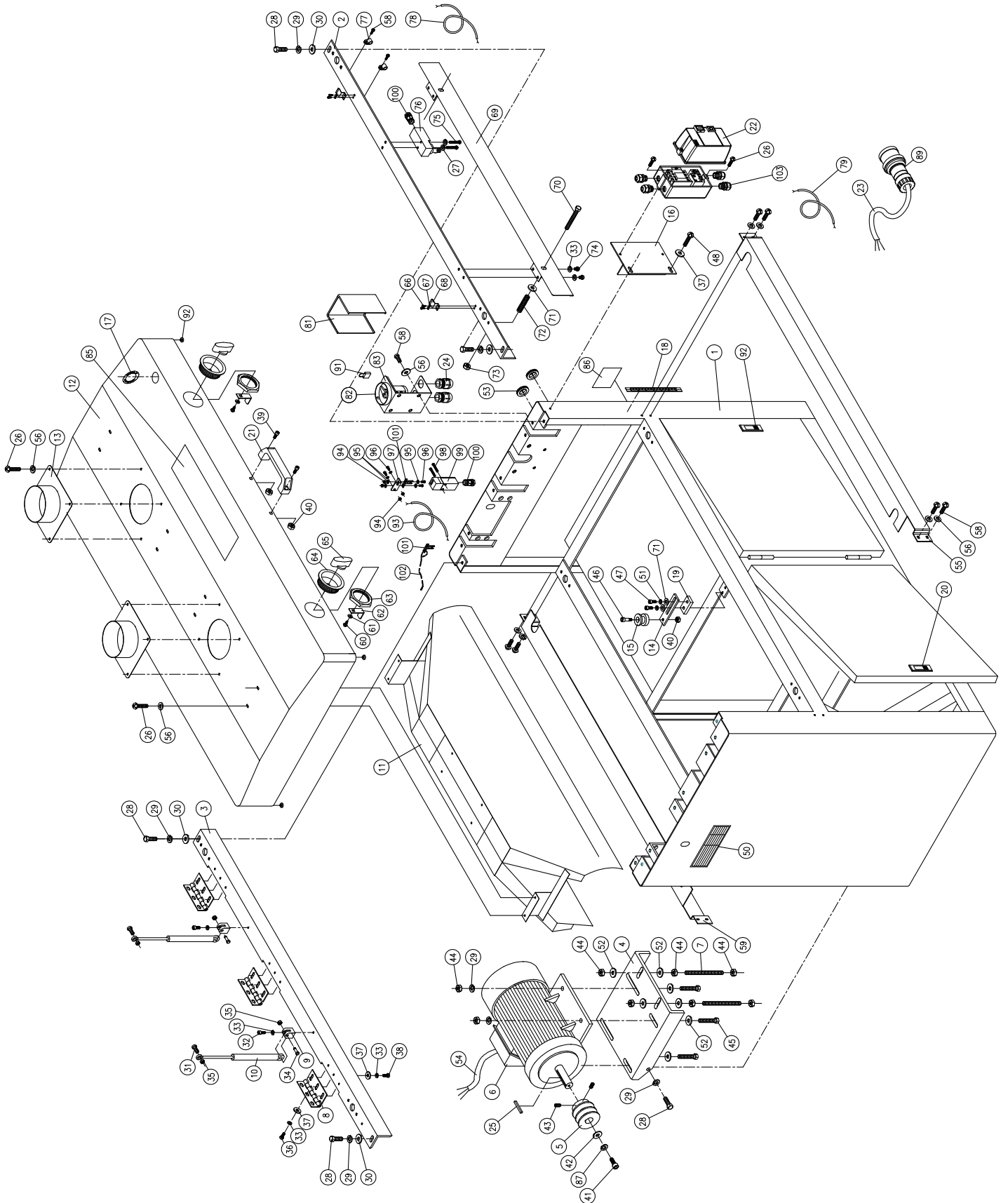
Index No.	Part No.	Description	Size	Qty.
1.....	DDS237-301A .....	Cabinet.....		1
2.....	DDS237-302.....	Support Bracket-Front .....		1
3.....	DDS237-303.....	Support Bracket-Rear .....		1
4.....	DDS237-304.....	Motor Plate.....		1
5.....	DDS237-305.....	Motor Pulley .....		1
6.....	DDS237-306AE.....	Motor.....	7.5HP, 3Ph, 400V.....	1
7.....	DDS225-307.....	Adjusting Screw .....		2
8.....	DDS225-308.....	Hinge.....		3
9.....	DDS225-309.....	Fixed Block .....		1
10.....	DDS225-310.....	Cylinder.....		1
11.....	DDS237-311.....	Flow Deflector .....		1
12.....	DDS237-312A .....	Top Cover .....		1
13.....	DDS225-313.....	Dust Chute .....		2
14.....	DDS225-314A .....	Roller Holder .....		1
15.....	DDS225-315.....	Idle Roller.....		1
16.....	DDS237-316.....	Switch Bracket .....		1
17.....	DDS225-317.....	Direction Label.....		1
18.....	DDS225-318E .....	Scale.....		1
19.....	DDS225-319A .....	Spacer.....		1
20.....	DDS225-320.....	Right Door Latch.....		2
.....	DDS225-320A .....	Left Door Latch .....		1
21.....	DDS225-321.....	Handle.....		1
22.....	DDS237-322AE.....	Magnetic Switch (for 7.5HP) .....		1
.....	DDS237-322AEC .....	Contactors .....		1
.....	DDS237-322AEO.....	Overload .....		1
23.....	DDS237-323AE.....	Power Cord .....		1
24.....	DDS225-324AE.....	Strain Relief .....		5
25.....	DDS225-325.....	Key.....	5 x 5 x55 mm.....	1
26.....	DDS225-326.....	Screw .....	3/16-24 x 1/2.....	18
27.....	TS-0720051.....	Lock Washer.....	#10.....	2
28.....	DDS225-328.....	Socket Head Cap Screw.....	3/8-16 x 3/4.....	6
29.....	TS-0720091.....	Lock Washer.....	3/8.....	10
30.....	TS-1550071.....	Flat Washer .....	M10.....	4
31.....	DDS225-313.....	Socket Head Cap Screw.....	M8 x25.....	1
32.....	TS-0207021.....	Socket Head Cap Screw.....	1/4-20 x 1/2.....	1
33.....	TS-0720071.....	Lock Washer.....	1/4.....	26
34.....	DDS225-334.....	Shoulder Screw.....	M8 X1.25P X11 .....	1
35.....	DDS225-335.....	Hex Nylon Lock Nut .....	M8.....	2
36.....	DDS225-336.....	Hex Head Screw .....	1/4-20 X 1/2 .....	6
37.....	TS-0680021.....	Flat Washer .....	1/4.....	16
38.....	TS-0050011.....	Hex Cap Screw .....	1/4-20 x 1/2.....	6
39.....	TS-0208041.....	Socket Head Cap Screw.....	5/16-18 x 3/4.....	2
40.....	TS-0561021.....	Hex Nut.....	5/16-18 .....	3
41.....	TS-1505021.....	Socket Head Cap Screw.....	M10x20.....	1
42.....	TS-1550071.....	Flat Washer .....	M10.....	1
43.....	DDS225-343.....	Socket Set Screw .....	5/16-18 x 1/2.....	2
44.....	TS-0561031.....	Hex Nut.....	3/8-16NC .....	10
45.....	DDS225-345.....	Hex Cap Screw .....	3/8-16NC x 1-1/2 .....	4
46.....	DDS225-346.....	Shoulder Screw.....		1
47.....	TS-0208061.....	Hex Cap Screw .....	5/16-18 x 1.....	1
48.....	TS-081F032 .....	Phillips Pan Head Machine Screw .....	1/4-20 x 1/2.....	4



## DDS-237 Motor & Cabinet Assembly

Index No.	Part No.	Description	Size	Qty.
50.....	DDS225-350.....	Label (Drum Setting Gauge).....		2
51.....	DDS225-351.....	Flat Washer.....	5/16.....	1
52.....	DDS225-352.....	Flat Washer.....	3/8.....	8
53.....	DDS225-353.....	Strain Relief.....		2
54.....	DDS237-354AE.....	Motor Cord.....		1
55.....	DDS237-355.....	Front Cover.....		1
56.....	TS-1550031.....	Flat Washer.....	3/16.....	26
58.....	DDS225-358.....	Screw.....	3/16-24 x 3/8.....	14
59.....	DDS237-359.....	Rear Cover.....		1
60.....	DDS225-360.....	Self Tapping Screw.....	1/4 x 1/2.....	2
61.....	TS-069204.....	Flat Washer.....	SAE #10.....	2
62.....	DDS225-362.....	Lock Piece.....		2
63.....	DDS225-363.....	Plastic Nut.....		2
64.....	DDS225-364.....	Lock Housing.....		2
65.....	DDS225-365.....	Lock Knob.....		2
66.....	DDS225-366.....	Socket Head Cap Screw.....	1/4-20x 1/2.....	4
67.....	TS-0720071.....	Lock Washer.....	1/4.....	4
68.....	DDS225-368.....	Holder.....		2
69.....	DDS237-369.....	Plate.....		1
70.....	TS-1490111.....	Hex Cap Screw.....	M8 x 60.....	2
71.....	DDS225-371.....	Flat Washer.....	M8.....	4
72.....	DDS225-372.....	Spring.....		2
73.....	TS-1540061.....	Hex Nut.....	M8.....	2
74.....	TS-081F022.....	Phillips Pan Head Machine Screw.....	1/4-20 x 5/16.....	4
75.....	DDS225-375.....	Screw.....	3/16-24 x 1-1/4.....	2
76.....	DDS225-376.....	Limit Switch.....		1
77.....	DDS225-377.....	Cord Holder.....		2
78.....	DDS225-378AEA.....	Cord, Limit Switch.....		1
79.....	DDS237-379AE.....	Switch Cord, Mag Switch to Power Switch.....		1
81.....	DDS225-381AE.....	Switch Cover.....		1
82.....	DDS225-382AE.....	Power Switch.....		1
83.....	DDS225-383AE.....	Switch Bracket.....		1
84.....	DDS225-384.....	Top Cover Warning Label (Not Shown).....		1
85.....	DDS225-385.....	JET Logo.....		1
86.....	DDS225-386.....	I.D. Label.....		1
87.....	TS-2361101.....	Lock Washer.....	M10.....	1
88.....	DDS225-388.....	Table Warning Label (Not Shown).....		2
89.....	DDS225-389.....	Plug for Power Cord.....		1
90.....	DDS225-390.....	Running Direction Label (Not Shown).....		1
91.....	DDS225-391.....	Switch Lock.....		1
92.....	DDS225-392.....	Pad.....		4
93.....	DDS225-393.....	Cord, Limit Switch.....		1
94.....	TS-1540021.....	Hex Nut.....	M4.....	4
95.....	TS-1550021.....	Flat Washer.....	M4.....	6
96.....	DDS225-396.....	Screw.....	M4x12.....	4
97.....	DDS225-397.....	Safety Key Support Bracket.....		1
98.....	DDS225-398.....	Screw.....	M4x30.....	2
99.....	DDS225-399.....	Limit Switch.....		1
100.....	DDS225-3100.....	Strain Relief.....		2
.....	DDS225-SKWC.....	Safety Key w/Chain (including, #101, #102) ...		1
101.....	DDS225-3101.....	Safety Key.....		1
102.....	DDS225-3102.....	Chain.....		1
103.....	DDS225-3103.....	Strain Relief.....		1

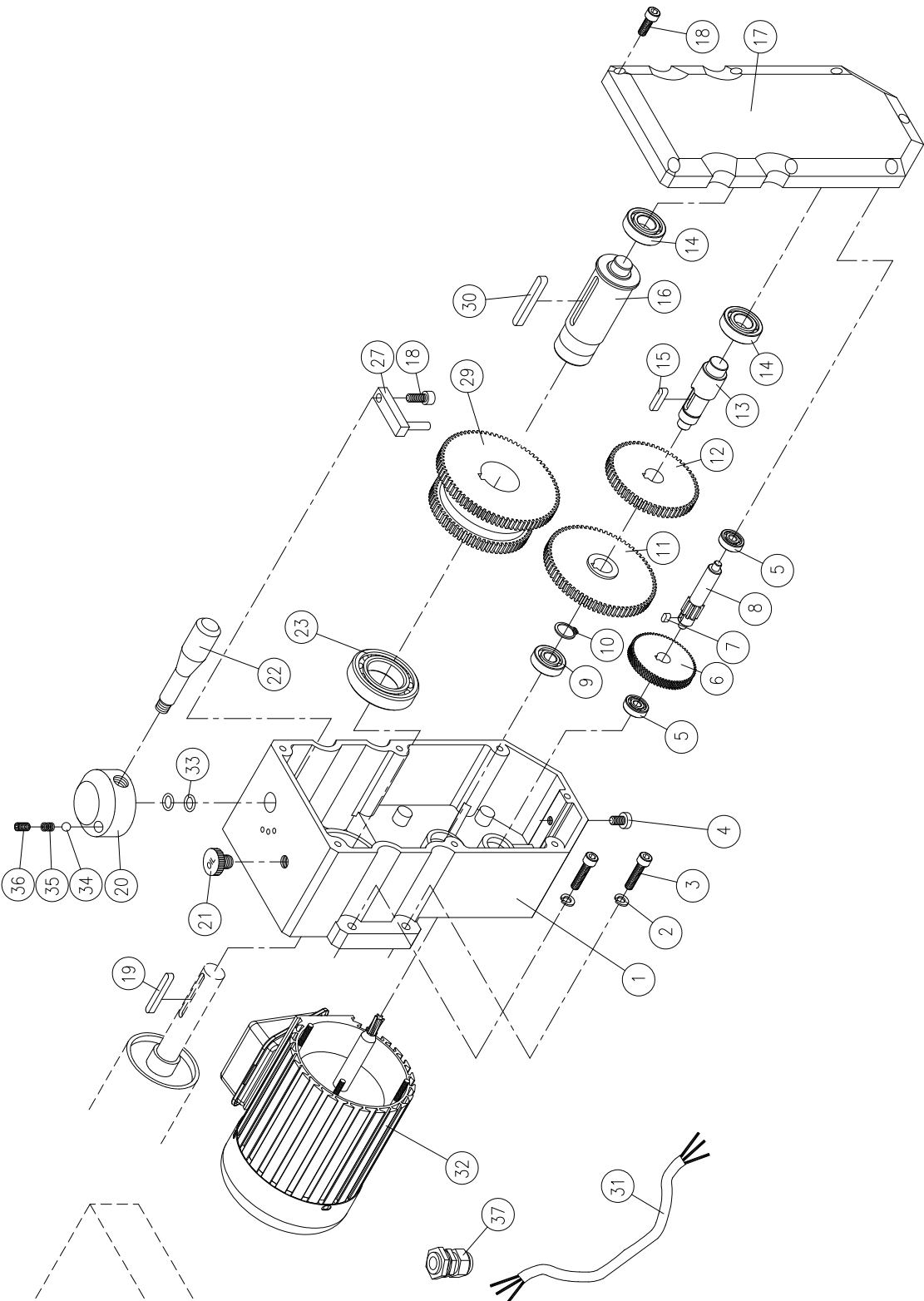
# DDS-237 Motor & Cabinet Assembly



## DDS-237 Gearbox Assembly

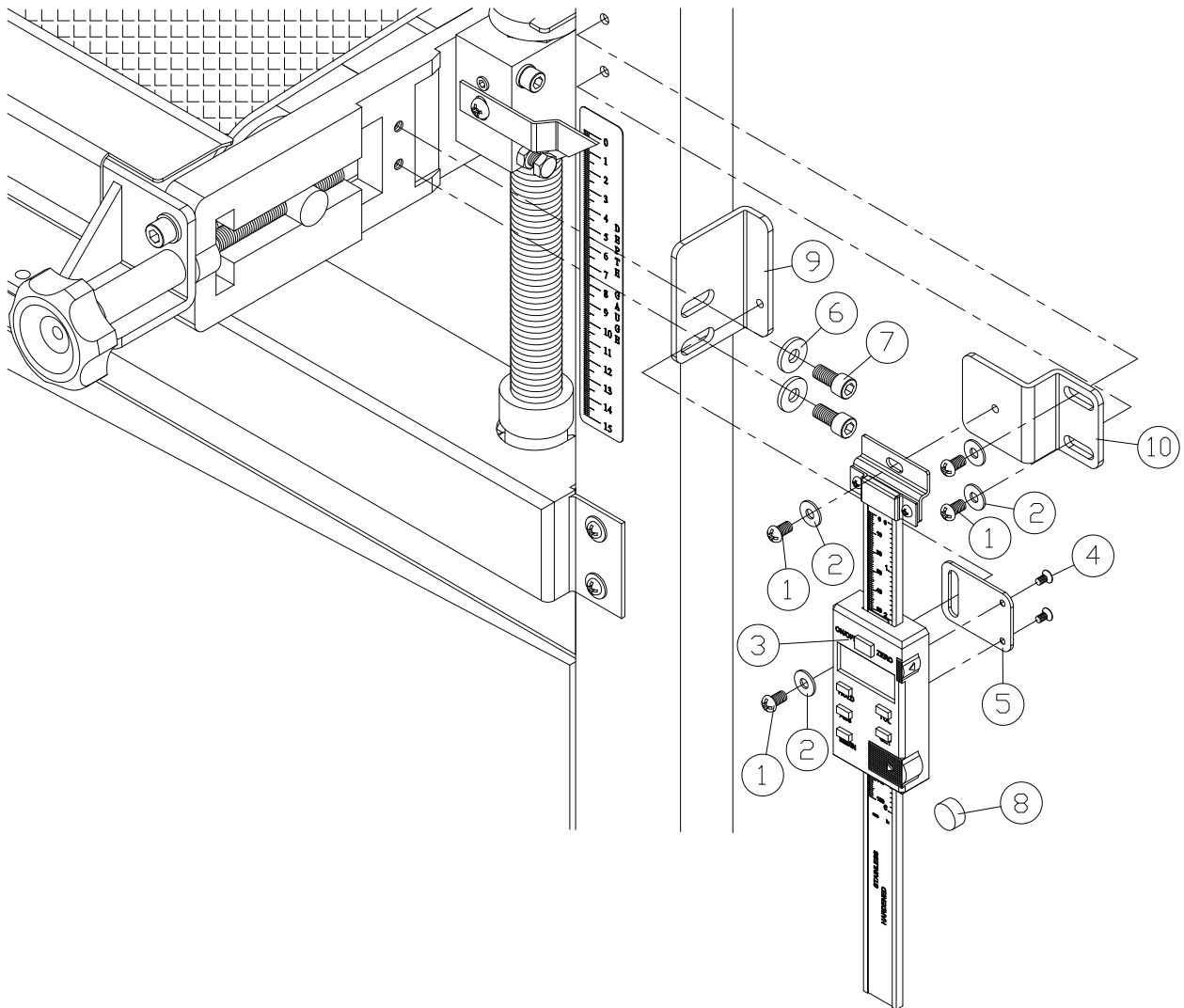
Index No.	Part No.	Description	Size	Qty.
1	DDS225-401A	Gearbox Body		1
2	TS-0720071	Lock Washer	1/4	4
3	TS-0207071	Socket Head Cap Screw	1/4-20 x 1-1/4	4
4	DDS225-404	Drain Plug		1
5	BB-626VV	Ball Bearing		2
6	DDS225-406	Gear	66T	1
7	DDS225-407	Key	4 x 4 x 8	1
8	DDS225-408	Pinion		1
9	BB-6000VV	Ball Bearing	6000VV	1
10	DDS225-410	C-Ring		1
11	DDS225-411	Gear	70T	1
12	DDS225-412	Gear	57T	1
13	DDS225-413	Shaft		1
14	BB-6002VV	Ball Bearing	6002VV	2
15	DDS225-415	Key	5 x 5 x 20	1
16	DDS225-416	Shaft		1
17	DDS225-417	Cover		1
18	TS-1503041	Socket Head Cap Screw	M6 x 16	8
19	DDS225-419	Key	5 x 5 x 30	1
20	DDS225-420	Collar		1
21	DDS225-421	Oil Plug		1
22	DDS225-422	Handle		1
23	BB-6006VV	Ball Bearing		1
27	DDS225-427	Block		1
29	DDS225-429A	Gear Assembly	64T / 77T	1
30	DDS225-430	Key	6 x 6 x 50	1
31	DDS225-431AE	Cable		1
32	DDS225-432AE	Motor	1/4HP, 3PH, 400V	1
33	DDS225-433	Gasket		2
34	DDS225-434	Steel Ball		1
35	DDS225-435	Spring		1
36	TS-1523011	Socket Set Screw	M6 x 6	1
37	DDS225-324AE	Strain Relife		1

DDS-237 Gearbox Assembly



## DDS-237 DRO Assembly

Index No.	Part No.	Description	Size	Qty.
.....	DDS225-DROA	Digital Readout Assembly (Includes index #1 ~ #10)	.....	1
1.....	TS-0680011	Flat Washer	.....3/16	4
2.....	DDS225-502	Screw	.....3/16-24x5/16	4
3.....	15S-314	Digital Readout	.....	1
4.....	DDS225-504	Flat Head Machined Screw	.....M3x.05Px5	2
5.....	DDS225-505A	Bracket	.....	1
6.....	TS-0680021	Flat Washer	.....1/4	2
7.....	TS-0207021	Socket Head Cap Scre	.....1/4-20x1/2	2
8.....	15S-600	Battery	.....1.5 Volt	1
9.....	DDS225-509	Lower Bracket	.....	1
10.....	DDS225-510	Upper Bracket	.....	1



# DDS-237.....10000649T.....3~400V, 50Hz

	colour of strands	Litzenfarben	couleur des cordons
BK	black	schwarz	noir
WH	white	weiß	blanc
BU	blue	blau	bleu
YE	yellow	gelb	jaune
RD	red	rot	rouge
BN	brown	braun	brun
GY	grey	grau	gris
GNYE	green-yellow	grün-gelb	vert-jaune
OG	orange	orange	orange
VT	violet	violett	violet

	meaning of symbol	Bedeutung der Zeichen	interprétation
M	motor	Motor	moteur
S	switch	Schalter	interrupteur
C	condenser	Kondensator	condensateur
E	electronic unit	Elektronik Einheit	unité électronique
F	fuse	Sicherung	fusible
RS	reversing switch	Drehrichtungsschalter	commu. droite/gauche
CS	centrifugal switch	Fliehkraftschalter	déclencheur centrifuge
OL	overload cut-off	Überlastschutzschalter	déclencheur surcharge
LS	limit switch	Positionsschalter	micro

